

## *16-Mbyte RAM SIMM Installation — (4685F16)*

Only proprietary Tektronix RAM SIMMs will operate correctly in Tektronix Color printers.

### **Static electricity precautions**

- Leave the printer plugged into its power outlet; this preserves a ground path for static discharges.
- Touch the printer's bare metal frame often to discharge static electricity from your body.
- Handle the circuit board(s) by their edges only.
- Do not lay the board(s) on a metal surface.
- Make the least possible movements to avoid generating static electricity.
- Avoid wearing wool, nylon or polyester clothing; they generate static electricity.

### **On-site installation**

Professional, on-site installation is just a phone call away. Productivity is important to your business success – so when you need it done right – the first time – call Tektronix. Tektronix' on-site installation delivers what you've been looking for: expert service technicians who provide quality, on-site product installation. In the United States and Canada, call 1-800-835-6100.

## Installation

**Note** **Installing a second RAM SIMM.** *If you are installing a second RAM SIMM in the printer, the largest capacity RAM SIMM must be installed in the SIMM 1 connector.*

**4-Mbyte RAM SIMM already installed.** *You can identify this SIMM by the part number 671-1561-01 or 671-3574-00 printed on its underside. This SIMM must be moved to the SIMM 2 connector.*

**16-Mbyte RAM SIMM already installed.** *You can identify this SIMM by the part number 671-3133-00 printed on its underside. This SIMM may remain in the SIMM 1 connector.*

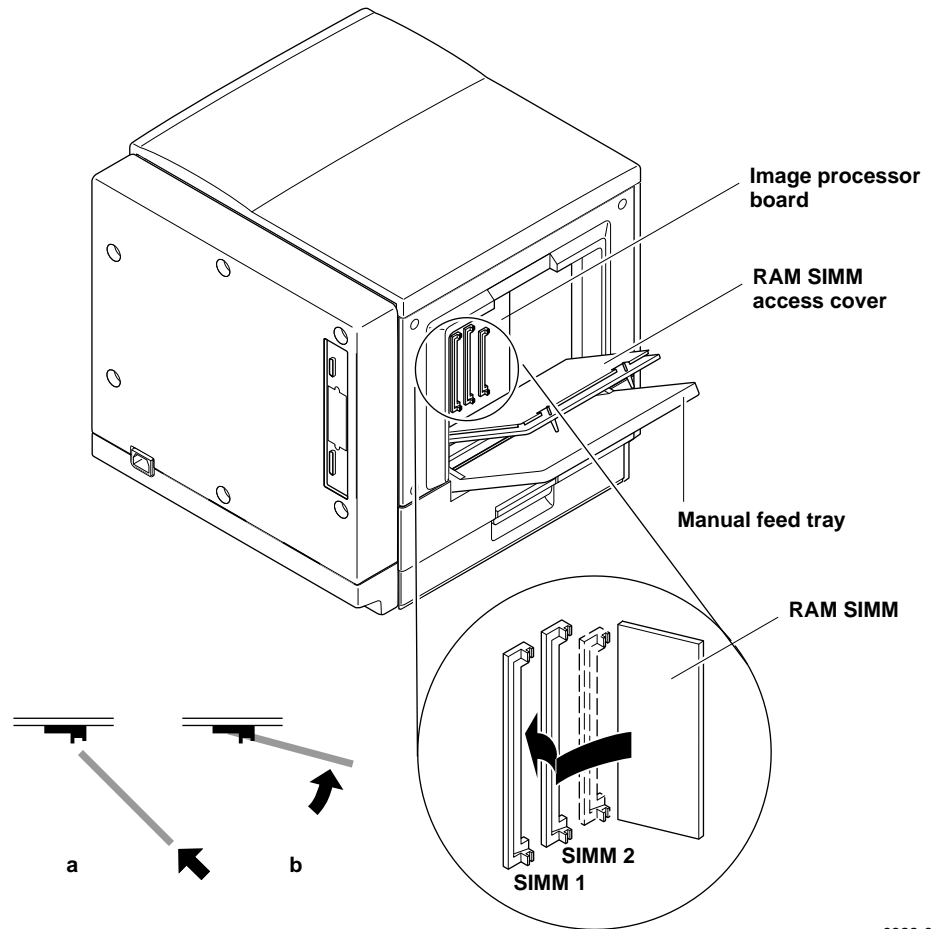
**32-Mbyte RAM SIMM already installed.** *You can identify this SIMM by the part number 671-3138-00 printed on its underside. This SIMM must remain in the SIMM 1 connector.*

1. Turn off the printer. Do not unplug the printer; this preserves a ground path to dissipate static charges.
2. Open the manual feed tray on the left side of the printer.
3. Loosen the two thumbscrews securing the RAM access cover.
4. Remove the EMI shield. It is held in place with five screws.
5. **If you are installing a single RAM SIMM.** Insert a memory module in connector SIMM 1 (**a**), and tilt the module down until it locks in place (**b**). When properly inserted, a tab on each end of the connector slips into a hole on each end of the RAM SIMM. Also, a pawl on each end of the connector latches around each end of the RAM SIMM to lock it in place. Go to Step 6.

**If you are installing two RAM SIMMs.** *Review the second RAM SIMM limitations in the note above.* Remove the RAM SIMM from connector SIMM 1. Metal pawls at each end of the RAM SIMM connector secure the RAM SIMM in the connector. Gently spread the metal pawls outward to free the RAM SIMM. Because of physical space limitations, install memory modules in the order SIMM 2 and then SIMM 1 with SIMM 1 holding the largest capacity RAM SIMM.

6. Insert the appropriate memory module in connector SIMM 2 (**a**), and tilt the module down until it locks in place (**b**). When properly inserted, a tab on each end of the connector slips into a hole on each end of the RAM SIMM. Also, a pawl on each end of the connector latches around each end of the RAM SIMM to lock it in place.

7. Reinstall the EMI shield and the SIMM access cover. Close the manual feed tray.
8. Print a startup page to check its listing of the printer's memory and options. Refer to the *Phaser 550 Color Printer User Manual* for details on printing the startup page.



9322-68